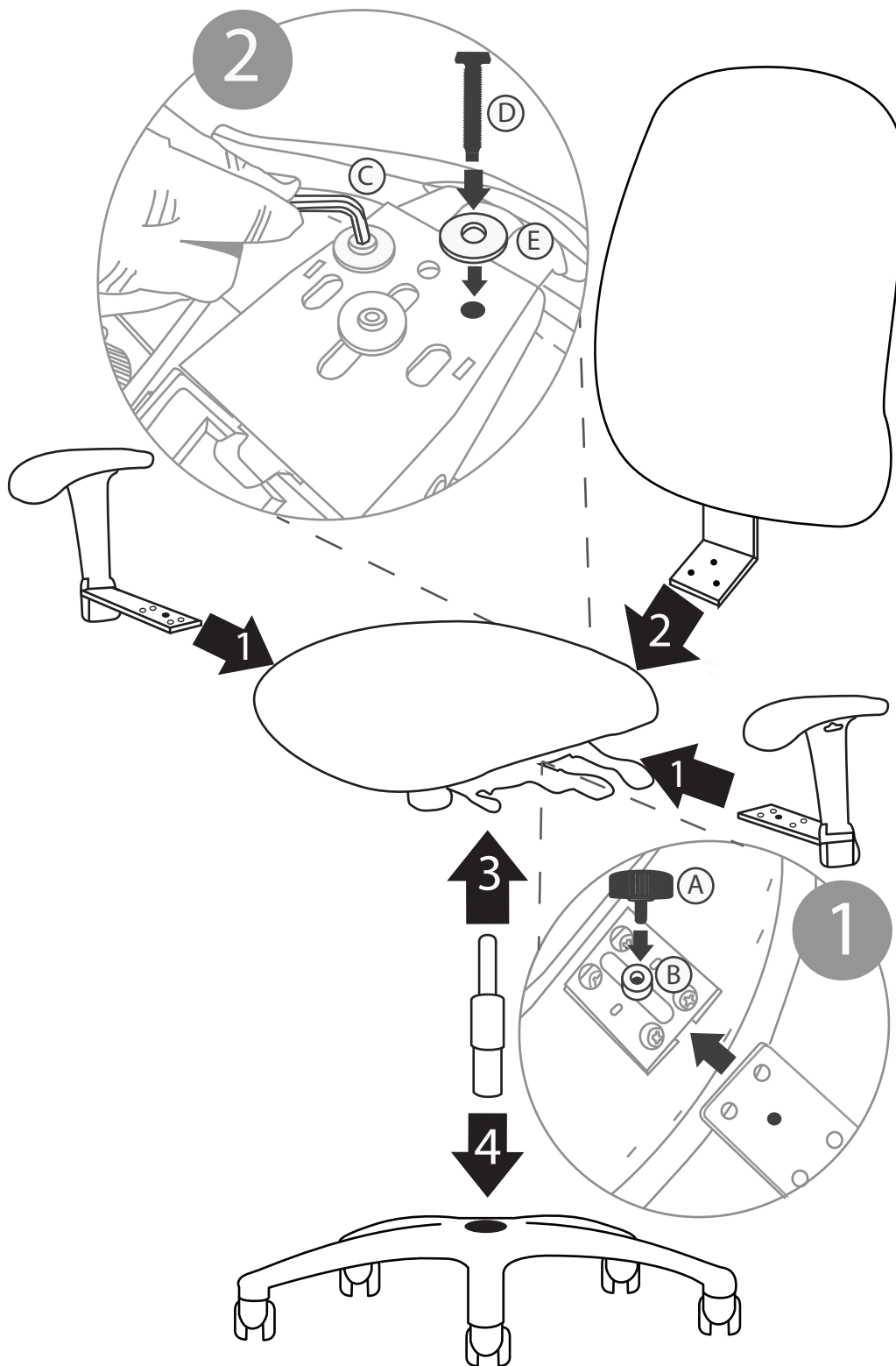
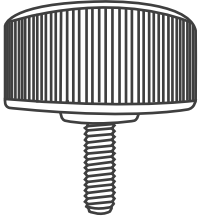

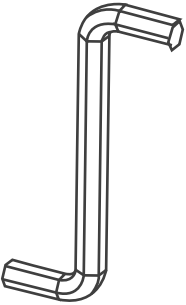
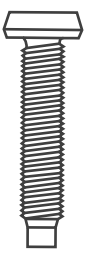



# Presto Chair Assembly Instructions



- |   |   |     |
|---|---|-----|
| A |   | X 2 |
| B |  | X 2 |
| C |  | X 1 |
| D |  | X 3 |
| E |  | X 3 |